

Keep safe



- Please read this manual carefully and thoroughly before operation
- This unit must be used correctly, according to the manufactures instructions
- Please keep this manual in a safe place for future reference

MINERAL ION WATER

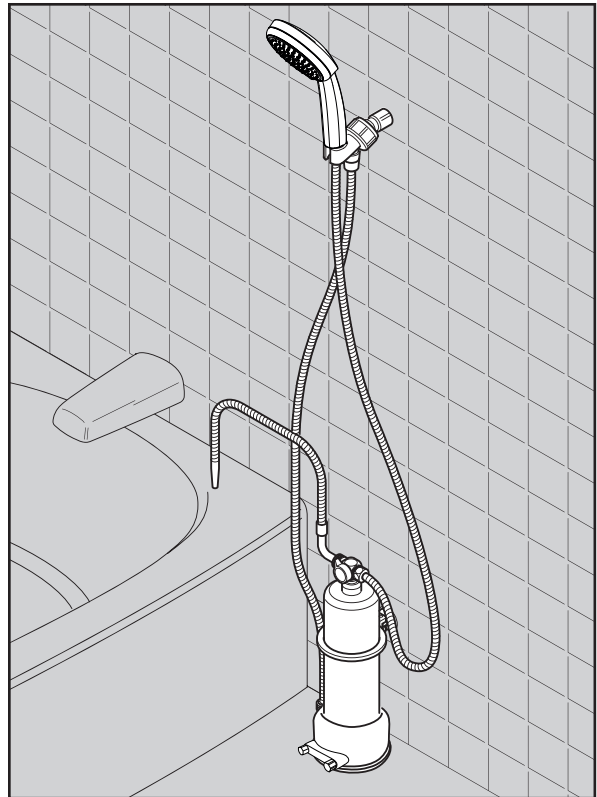
# ANESPA DX

Mineral ion water Generator

ANSP-02

Directly connected to tap water type

# Operation Manual



## Contents

1	Preparation on safety	1
2	Accessories	1
3	Option (not included)	1
4	Structure and name of parts	2
5	Installation procedure	3~5
6	How to use	5
7	Standard specifications	5
8	Replacement the clean water cartridge/ ceramic cartridge	6
9	After-sales Service	Back of the book

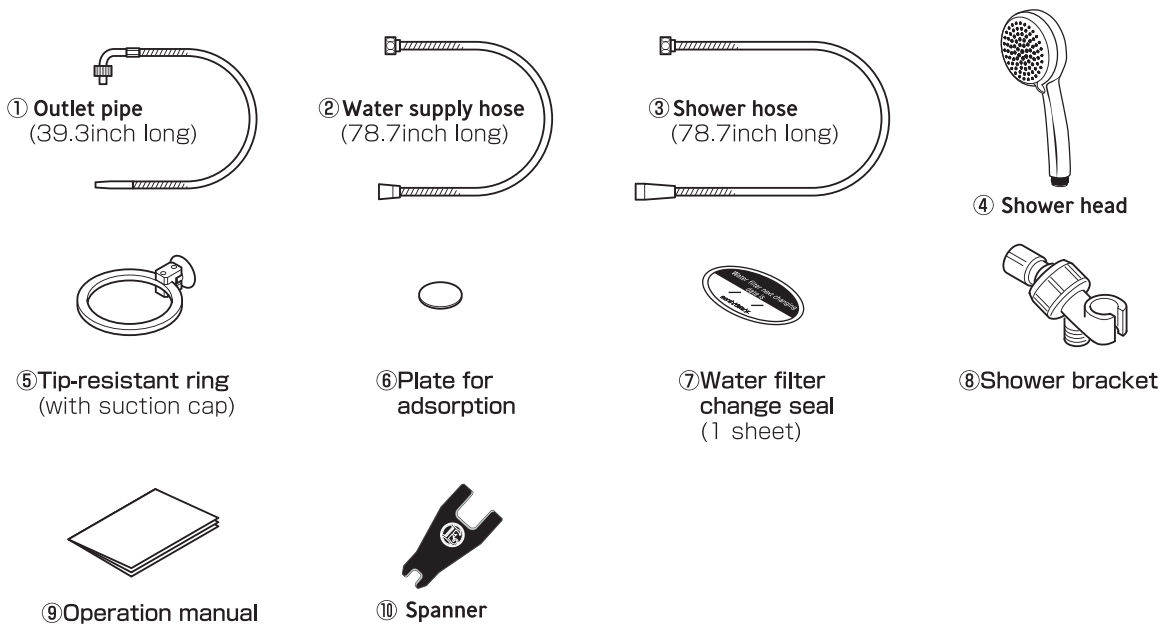
Thank you very much for purchasing our  
< **ANESPA DX** >.

Please read through the **Operation Manual**  
carefully for your safety before using the product.  
Please keep this manual in a safe place  
for future use.

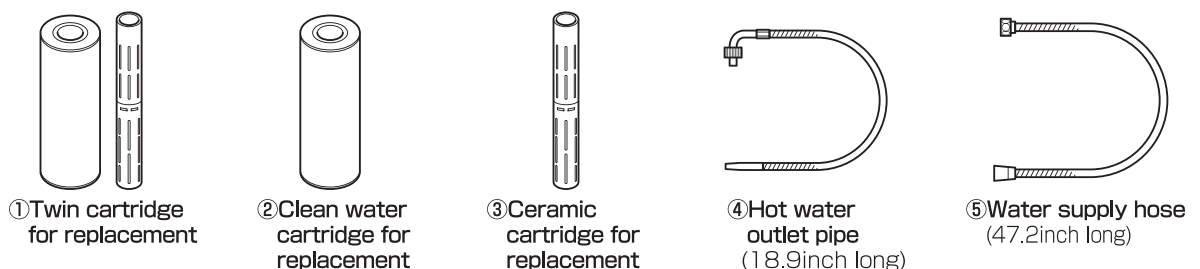
# 1 Preparation on safety

- Before using this product or new cartridge, please discharge the water for two or three minutes.
- As the water having passed through the unit remove the chlorine, use it early without long storage.
- Don't let the water not compatible with Water Supply Law to pass through the unit. This may constitute a limiting factor of the original function of this product. Please note that we accept no responsibilities for such case.
- At the occasion of initial watering, some muddiness and bubbles appear, however, there is absolutely no harm to the human body.
- Don't freeze the water in the unit. During the winter season, if there is a fear of freeze-up, please let small quantity of water through.
- Though this product is designed for warm water, don't pass hot water (60°C or more) through.
- After passing water through, the unit increases in weight significantly. If you turn over or drop this product, this may lead to accident. Always fix the tip-resistant ring to the wall surface securely and attach it to the unit.
- If that is the case of turning-over in the wash place, install the location where there is no harm .
- If the unit has been unused for 2~3 days, let water flow 1~2 minutes prior to use.
- For the prevention of accident such as burn injury, before passing water through the unit, always adjust the water temperature and then use this product.
- When water supply works is being performed in the vicinity of installation location or rusty water appears, never use this unit. This may constitute a limiting factor of the original function of this product. Please note that we accept no responsibilities for such case.

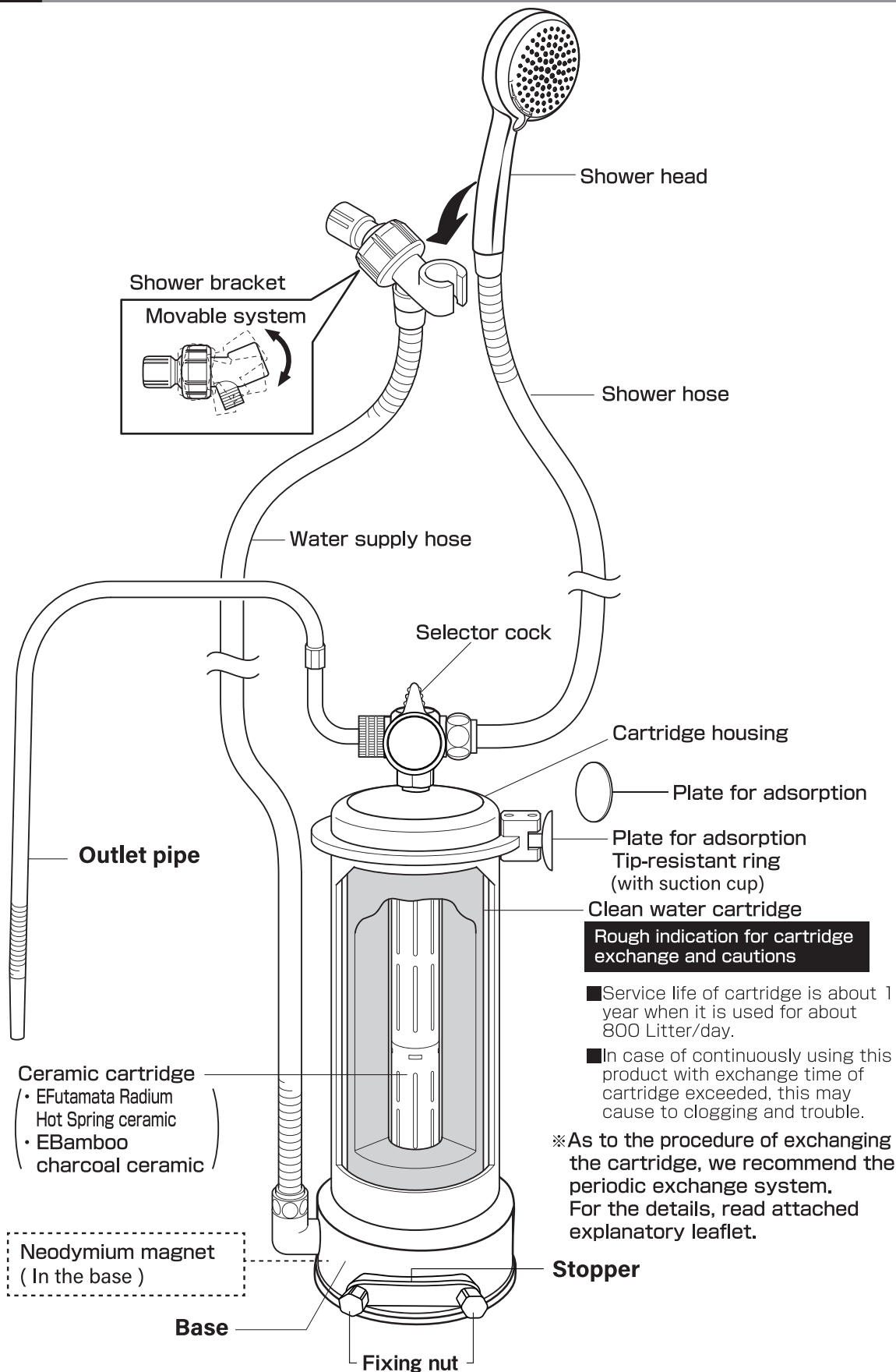
# 2 Accessories



# 3 Option (not included)

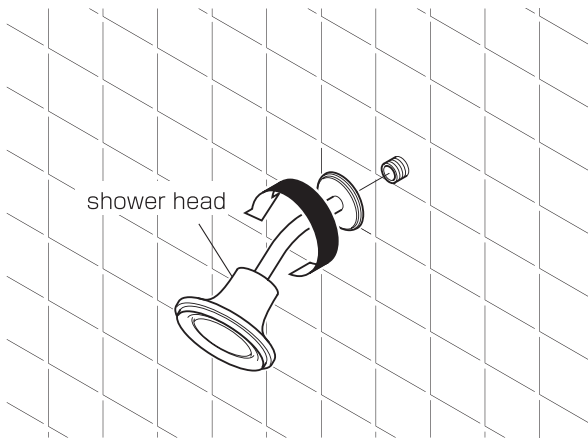


# 4 Structure and name of parts

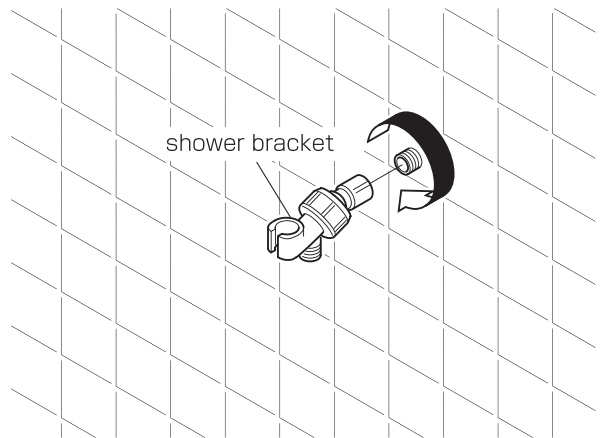


# 5 Installation procedure

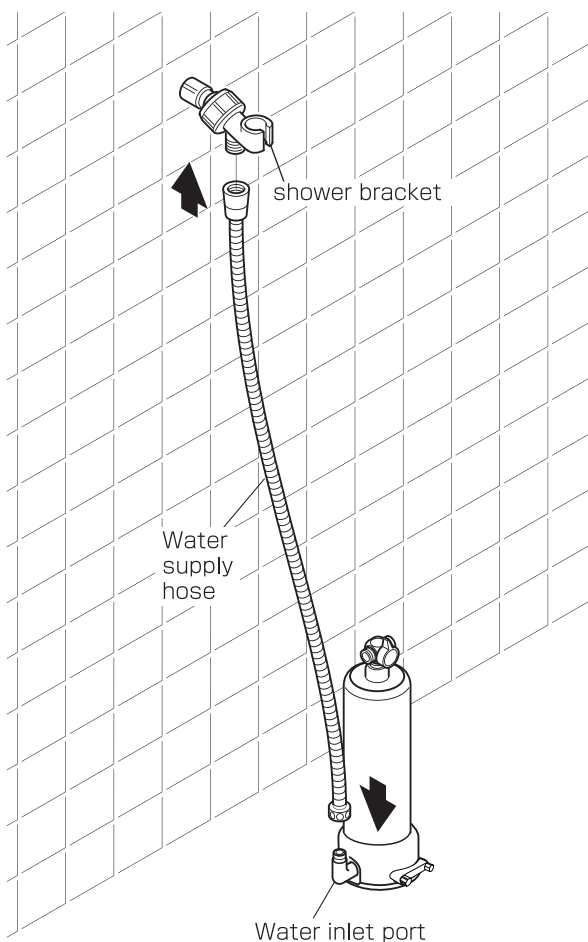
**1** Remove existing shower head.



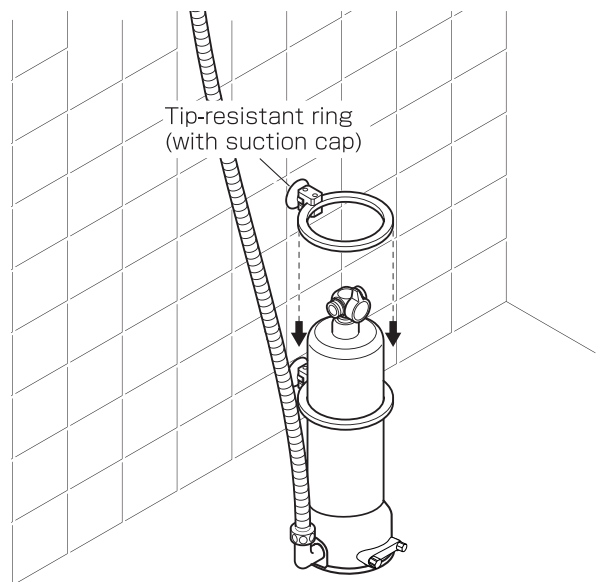
**2** Install attached shower bracket.



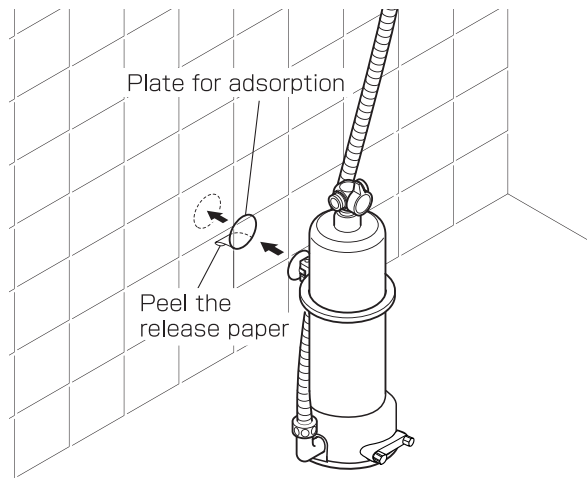
**3** Install the attached water supply hose to the water inlet port and shower bracket.



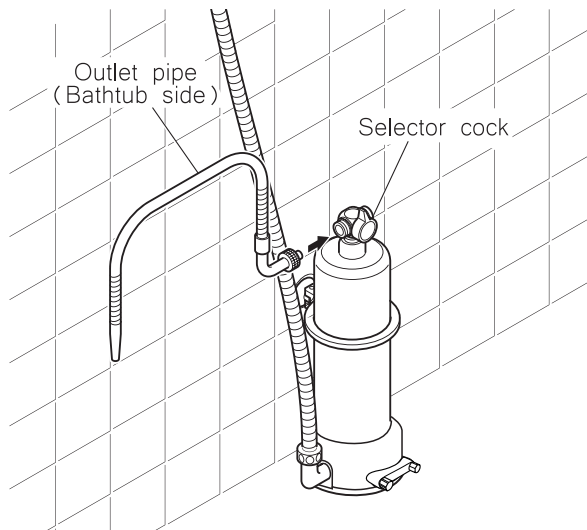
**4** Fit attached tip-resistant ring (with suction cap) to the unit. (At mounting tip-resistant ring, take aim in advance at the position installing the unit.)



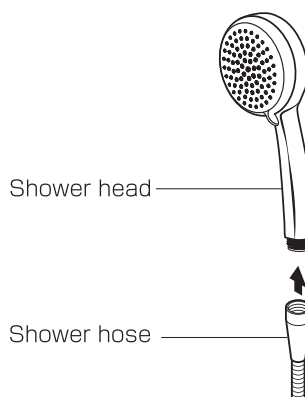
**5** Peel the release paper on the plate for adsorption, put the suction cap on the wall surface and let absorb it securely.



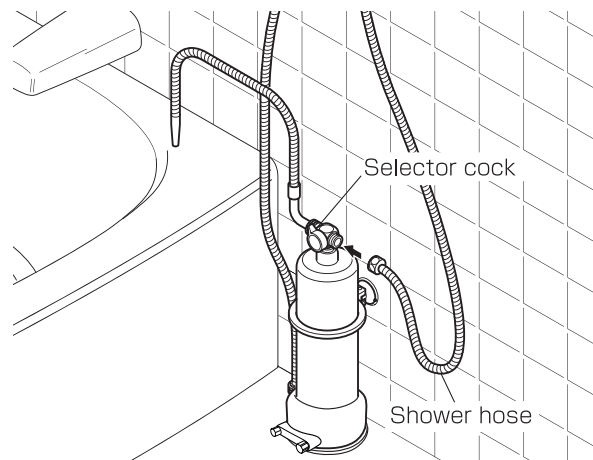
**6** Install attached outlet pipe on the bathtub side of selector cock.



**7** Connect attached shower head to the shower hose.



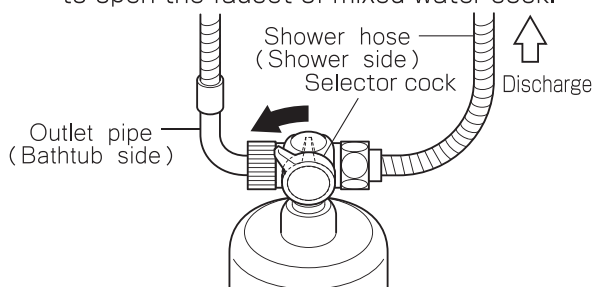
**8** Install the shower hose to the shower side of selector cock .



## 6 How to use

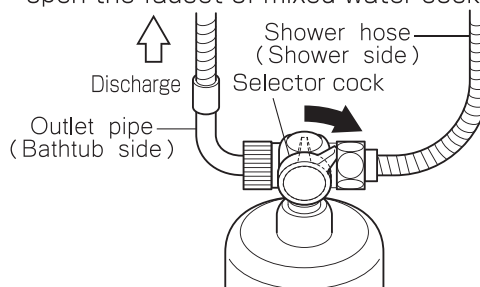
### In case of using the shower

Turn over the selector cock to the left to open the faucet of mixed water cock.



### In case of filling hot water (water) in bathtub

Turn over the selector cock to the right to open the faucet of mixed water cock.



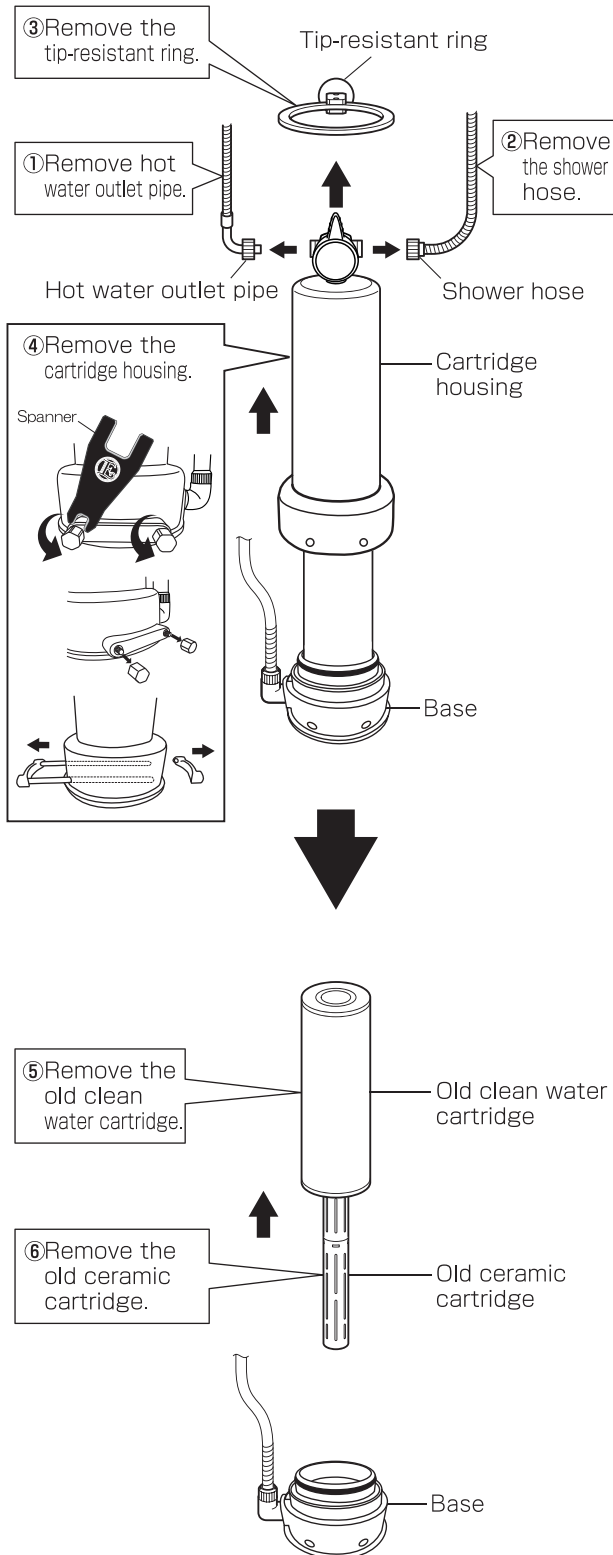
## 7 Standard specifications

### Unit

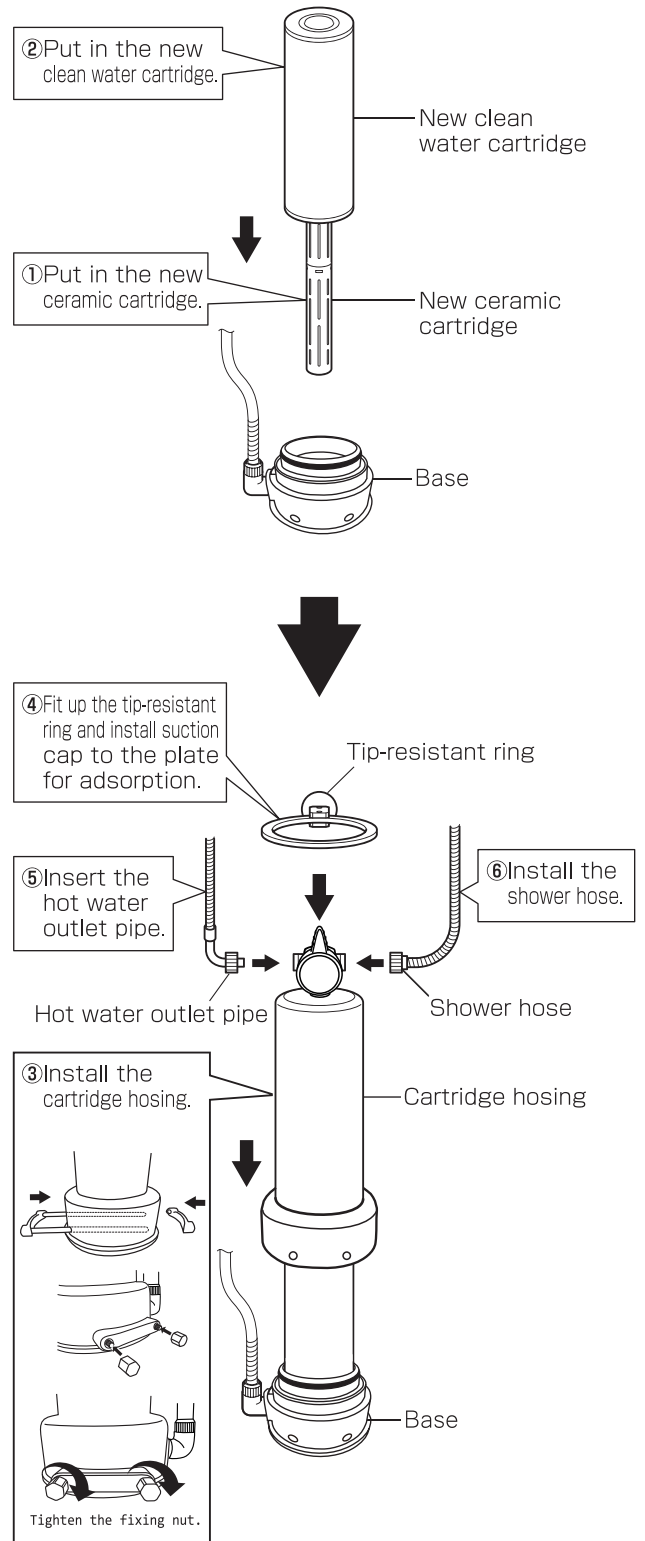
Product Name	ANESPA DX
Type	ANSP- 02
Target substance of elimination	Residual chlorine removal
Filtering performance	Residual chlorine removal ( 0.07gr/gal, 104°F )
Filter material	Activated carbon fiber compact
Filtering capacity	2.2gal./min.(14.5psi 104°F ) Max.3.9gal
Size	13.4inch (H) ×4.7inch (diameter)(except water supply connection)
Main unit weight	4.2lb (included twin cartridge)
Normal working pressure	7.3psi ~ 72.5psi
Maximum working temperature	104°F
Cartridge replacement period	Clean water cartridge About 1 year (replacement timing varies depending on the water quality and quantity consumed) Ceramic cartridge About 3 years (replacement timing varies depending on the water quality and quantity consumed)
Accessories of this unit	Outlet pipe (39.3inch), Water supply hose (78.7inch), Shower hose (78.7inch), Shower head, Tip-resistant ring (with suction cap), Plate for adsorption, Water filter change seal, Shower bracket, Operation manual, Spanner

# 8 Replacement the clean water cartridge/ceramic cartridge

## How to remove



## How to install



# 9 After-sales Service

## Warranty

- Please make sure that the date of purchase and your dealer's name are entered on the accompanying Warranty card. Keep it in a safe place.

## Warranty card. Keep it in a safe place.

- The warranty period of this product is 5 years from buying day.
- For repairs, please contact your local dealer.  
(Please read the guarantee conditions carefully, as some repairs may not be covered under the warranty, depending on the situation.)

**⚠ Caution** ※You may be charged if your repair are for the following reasons.

1. Trouble resulting from handling in a manner that is not specified in the "Operation Manual".
2. Trouble or damage due to use of water other than municipal drinking water.
3. Trouble or damage due to natural disaster, such as, earthquake, fires or floods.
4. Dropping the product or caused in any traffic accident during transportation.
5. Replacement of consumable parts.
6. Failure to fill in the "Date of purchase" and "User's Name" and "Dealer's Name" in the warranty form.
7. Purchaser's failure to submit warranty card.

## If you need to repair after warranty expiration

- Contact your local dealer. Repair may be available upon request at purchaser's expense.

## Others

- If you have any questions about the product, please contact your dealer.

## ⚠ Warning



In no case should the product be modified, overhauled or repaired by purchase, as fire or electrical shock could result.

Any consequence of such behavior shall not be compensated by the maker.

※For questions and information, please contact your local dealer.

**Los Angeles :**  
TEL. +1-310-542-7700 FAX. +1-310-542-1700  
**New York :**  
TEL. +1-718-784-2110 FAX. +1-718-784-2103  
**Chicago :**  
TEL. +1-847-437-8200 FAX. +1-847-437-8201  
**Honolulu :**  
TEL. +1-808-949-5300 FAX. +1-808-949-5336  
**Dallas :**  
TEL. +1-972-722-7499 FAX. +1-972-722-7402  
**Seattle :**  
TEL. +1-425-640-2222 FAX. +1-425-672-8946  
**Orlando :**  
TEL. +1-407-601-5963 FAX. +1-407-730-3335  
**Burnaby :**  
TEL. +1-604-214-0065 FAX. +1-604-214-0067  
**Toronto :**  
TEL. +1-905-507-1200 FAX. +1-905-507-1233  
**Mexico :**  
TEL. +52-81-8242-5500 FAX. +52-81-8242-5549

**Brazil :**  
TEL. +55-15-3033-4132 FAX. +55-15-3034-4100  
**Germany :**  
TEL. +49-211-936570-00 FAX. +49-211-936570-27  
**France :**  
TEL. +33 (0) 1 47 07 55 65 FAX. +33 (0) 1 83 71 17 06  
**Italy :**  
TEL. +39-6-3330-670 FAX. +39-6-3321-9505  
**Australia :**  
TEL. +61-2-9878-1100 FAX. +61-2-9878-1200  
**Russia :**  
TEL. +7-495-988-02-05 FAX. +7-495-988-02-06  
**Rumania :**  
TEL. +40-374028779  
**Portugal :**  
TEL. +351-22-8305464  
**Hong Kong :**  
TEL. +852-2154-0077 FAX. +852-2154-0027

**Taiwan :**  
TEL. +886-2-2713-2936 FAX. +886-2-2713-2938  
**Philippines :**  
TEL. +63-2-519-5508 FAX. +63-2-519-1923  
**Korea :**  
TEL. +82-2-546-8120 FAX. +82-2-546-8127  
**Singapore :**  
TEL. +65-6720-7501 FAX. +65-6720-7505  
**Malaysia :**  
TEL. +60-3-2282-2332 FAX. +60-3-2282-2335  
**Indonesia :**  
TEL. +62-21-2992-3111 FAX. +62-21-2992-8111  
**Thailand :**  
TEL. +66-2-116-3050 FAX. +66-2-116-3044  
**India :**  
TEL. +91-80-4650-9900 FAX. +91-80-4650-9908  
**Mongolia :**  
TEL. +976-7012-7778 FAX. +976-7012-7708

**Okinawa :**  
TEL. +81-98-878-4132 FAX. +81-98-878-4141  
**Tokyo :**  
TEL. +81-3-5205-6030 FAX. +81-3-5205-6035  
**Sapporo :**  
TEL. +81-11-223-5678 FAX. +81-11-223-5680  
**Nago :**  
TEL. +81-980-51-0616 FAX. +81-980-51-0628  
**Naha :**  
TEL. +81-98-917-1309 FAX. +81-98-917-1164  
**Osaka Factory :**  
TEL. +81-72-893-2290 FAX. +81-72-893-8007